

ASIAIR WiFi Signal Amping Solution

Why this article

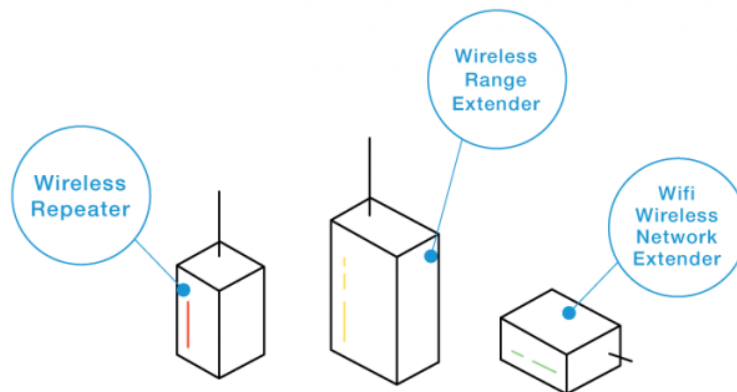
Limited by technology and cost, nowadays the WiFi signal cannot cover all usage scenarios. When using ASIAIR, the devices maybe far from backyard more than 100 feet, so we should amp the ASIAIR WiFi signal.

On ASIAIR Facebook Group, [Beaner Franks](#) made the first post about how-to setup. After that more and more users are interest on it. So, this is a supplementary document.

Differences between alternatives

When it comes to amping the WiFi signal in your home, a rose by any other name is not as sweet. The type of device you use matters. It's important to understand the differences between alternatives.

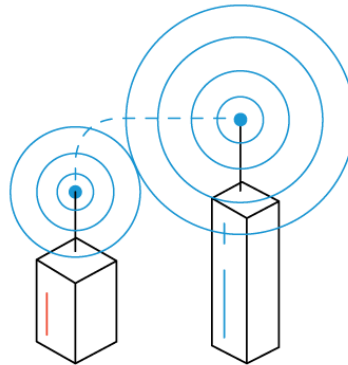
WiFi Boosters



The term WiFi booster was a catch-all phrase for devices that extended a WiFi signal. A WiFi booster now is more accurately defined as a wireless range extender, wired extender or an Ethernet WiFi Wireless Network Extender.

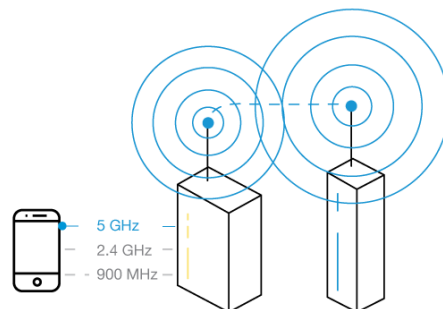
Central to WiFi boosters is WiFi bandwidth 'extension'. To completely cover your home and yard, you may need more than one WiFi booster.

Wireless Repeaters



Wireless repeaters are first generation WiFi signal extenders. As the name implies, wireless repeaters re-broadcast the WiFi signal received to a finite localized area. The quality of WiFi signal strength received by the wireless repeater will be the same WiFi signal strength distributed. Latency, or WiFi network response time, is typically increased. If you need a short hop, have less than 5 wireless devices and are not going to stream anything, a repeater might work.

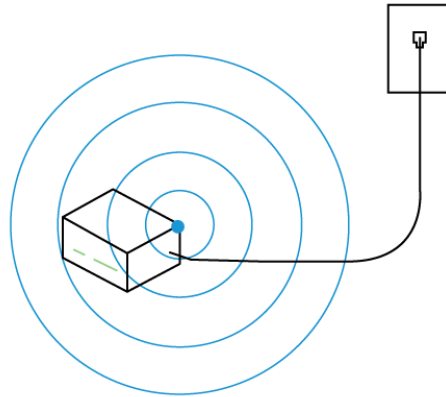
Wireless Range Extenders – What we should choose!



Wireless range extenders are stand-alone equipment which sit between your wireless router and the location where you want better wireless coverage. Like a wireless repeater, a wireless range extender grabs existing WiFi signal from your wireless router and re-broadcasts it. Range extenders rebroadcast on a different wireless channel from the one used by your wireless router. The challenge with range-extenders is location. Incorrect

placement means a range extender may not obtain enough WiFi signal from your router to simultaneously rebroadcast, stream and engage in online gaming or watching a video.

WiFi Network Extenders



WiFi Network Extenders are the best WiFi boosters for consistent, reliable high speed WiFi to every floor and corner of your home. Unlike repeaters or range extenders that rebroadcast existing WiFi signals, WiFi Network Extenders communicate directly with your gateway or WiFi router using a wire.

How-tos

Buy

Look at [HERE](#). Just for your convenience.

Setup

Just follow the extender's manual that you purchased.

But we recommend to set the extender's SSID same to ASIAIR's, so the mobile devices (phone or tablet) can auto connected to the best signal WiFi bases on your location.

* If your phone cannot auto switch the connection, please set to a different SSID of your extender. Just like [Beaner Franks](#) did.