

Guide Camera Manual



ASI120MM Mini

ASI220MM Mini

ASI174MM Mini

Thank you for purchasing ZWO ASI camera! Please make sure you've read this manual before you use the product.

All materials related to this publication are subject to change without notice and its copyright totally belongs to Suzhou ZWO CO.,L

Table of contents

| | |
|--|----|
| 1 Product Introduction | 1 |
| 2 Notice for Use | 3 |
| 3 Getting to Know Your Camera | 4 |
| 3.1 External View | 4 |
| 3.2 Camera Specifications | 5 |
| 3.3 Quantum Efficiency & Readout Noise | 7 |
| 4 What's in the Box | 10 |
| 6 Connection Methods | 12 |
| 7 Warranty Policy | 15 |
| 8 After-sale Service | 16 |

1 Product Introduction

ASI120MM Mini



| | | | |
|---|--|---|---|
|  |  |  |  |
| Sensor AR0130CS | 1/3" 4.8×3.6mm | Resolution 1280×960 | ADC 12bit |
|  |  |  |  |
| Read noise 4.0e | FPS 35 | QE 80% | USB 2.0 |

The ASI120MM Mini camera integrates the AR0130CS 1/3" sensor (4.8 mm x 3.6 mm). It is a new model in the "mini"-series of cameras from ZWO. This camera has 1280 x 960 pixels with a pixel size of 3.75 μm x 3.75 μm . It provides 12-bit ADC and the QE peak is almost 80%.

ASI220MM Mini



| | | | |
|---|--|---|---|
|  |  |  |  |
| Sensor SC2210 | 1/1.8" 7.68×4.32mm | Resolution 1920×1080 | ADC 12bit |
|  |  |  |  |
| Read noise 0.6e | FPS 14 | QE 92% | USB 2.0 |

The ASI220MM Mini camera integrates Type 1/1.8 SC2210 sensor (7.68 mm x 4.32 mm). It is a mono guide camera with excellent

near infrared sensitivity. This camera has $4\mu\text{m} \times 4\mu\text{m}$ pixels with an array of 1920×1080 and a full well capacity of 8780e. The protective window is AR coated.

ASI174MM Mini



ASI174MM Mini camera integrates Sony IMX174LLJ 1/1.2" sensor (11.3 mm x 7.1 mm). It is the first model in the "mini"-series of cameras from ZWO. This camera has 1936×1216 pixels with a pixel size of $5.86 \mu\text{m} \times 5.86 \mu\text{m}$. It camera provides 12-bit ADC and its QE peak is 77%.

USB 2.0 Port & ST4 Port

USB 2.0 Port: Mini camera has one USB2.0 type-C port. Type-C port is very popular in mobile phones, as it doesn't matter which way you connect it (unlike for example type-A or type-B)

#USB-C to USB-A cable is required.

ST4 Port: The camera can be connected directly to the auto-guider port of the mount.

2 Notice for Use

Before you use the camera, please read the guide below.

| | |
|-----------------------|--------------|
| Storage temperature | -20°C ~ 60°C |
| Storage humidity | 20% ~ 95% |
| Operating temperature | -5°C ~ 50°C |
| Operating humidity | 20% ~ 80% |

Please do not use any corrosive solutions to clean the camera to avoid damaging the camera. Also don't expose the camera directly to the sun for long time to avoid surface discoloration.

3 Getting to Know Your Camera

3.1 External View



① ST4 Port

② USB 2.0 Port

3.2 Camera Specifications

| Model | ASI120MM Mini | ASI220MM Mini | ASI174MM Mini |
|----------------------------|--------------------------|------------------------------|------------------|
| Sensor | 1/3" CMOS AR0130CS | Type 1/1.8 SC2210_BW | 1/1.2" IMX249 |
| Diagonal | 6mm | 8.81mm | 13.2mm |
| Resolution | 1.2MP 1280×960 | 2.07MP 1920×1080 | 2.30MP 1936×1216 |
| Pixel size | 3.75μm | 4μm | 5.86μm |
| Sensor size | 4.8mm×3.6mm | 7.68mm×4.32mm | 11.3 mm x 7.1 mm |
| Max frame rate | 35fps | 14fps | 18fps(12bitADC) |
| Shutter | Rolling shutter | Rolling shutter | Global shutter |
| Exp range | 64μs-2000s | 32μs~10s | 32μs-300s |
| Read noise | 4.0e~6.6e | 0.6-3.2 e(1.97e@10.6db gain) | 3.5e @30db |
| QE peak | 80% | 500nm 92% | 77% |
| Full well capacity | 14.5ke | 8.78ke | 32ke |
| ADC | 12bit | | |
| USB port | USB 2.0 Type-C | | |
| Connection adapter | 1.25"/ M28.5×0.6 | | |
| Protective window | AR | | |
| Camera diagonal | 36mm | | |
| Net weight | 60g | | |
| Back focus distance | 8.5mm | | |
| Supported OS | Windows, Linux & Mac OSX | | |

the fastest frame rate at typical resolution:

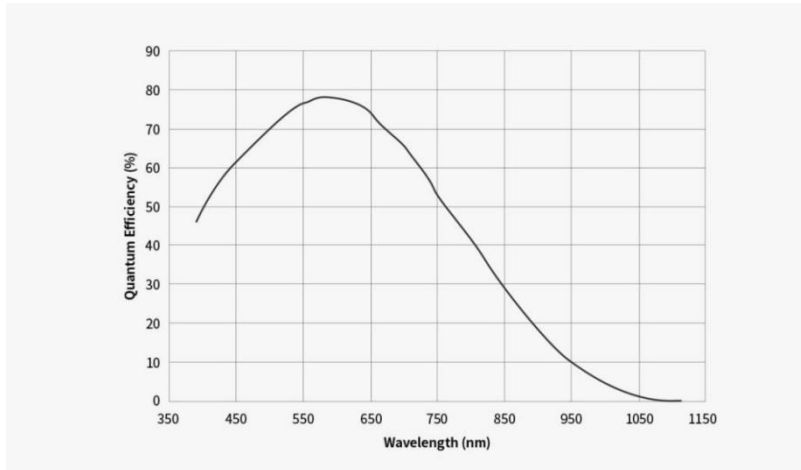
| Camera | ASI120MM Mini | | ASI220MM Mini | | ASI174MM Mini | |
|------------|--------------------------------|---------|---------------|---------|---------------|---------|
| Mode | USB 2.0 Normal Mode: 12BIT ADC | | | | | |
| Resolution | RAW16 | RAW8 | RAW16 | RAW8 | RAW16 | RAW8 |
| 1936×1216 | \ | \ | \ | \ | 9.2fps | 18.4fps |
| 1936×1096 | \ | \ | \ | \ | \ | \ |
| 1920×1080 | \ | \ | 7fps | 14fps | 10.4fps | 20.9fps |
| 1280×960 | 17.5fps | 30fps | \ | \ | \ | \ |
| 1280×720 | \ | \ | 10.4fps | 20.8fps | 23.5fps | 33.8fps |
| 1024×768 | 27.4fps | 37.2fps | \ | \ | \ | \ |
| 640×480 | 58.3fps | 58.3fps | 15.3fps | 30.5fps | 49.5fps | 49.5fps |
| 320×240 | 111fps | 111fps | 28.7fps | 57.4fps | 92.3fps | 92.3fps |

3.3 Quantum Efficiency & Readout Noise

ASI120MM Mini

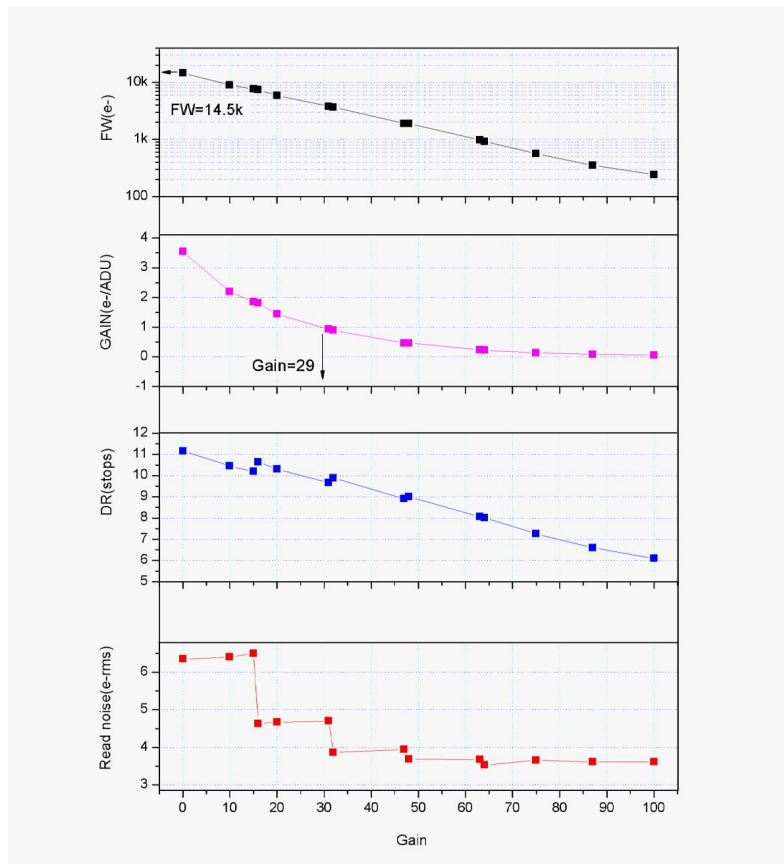
Quantum Efficiency

Regarding the absolute QE Curve, we estimate the Peak Value to be almost 80%.



Readout Noise

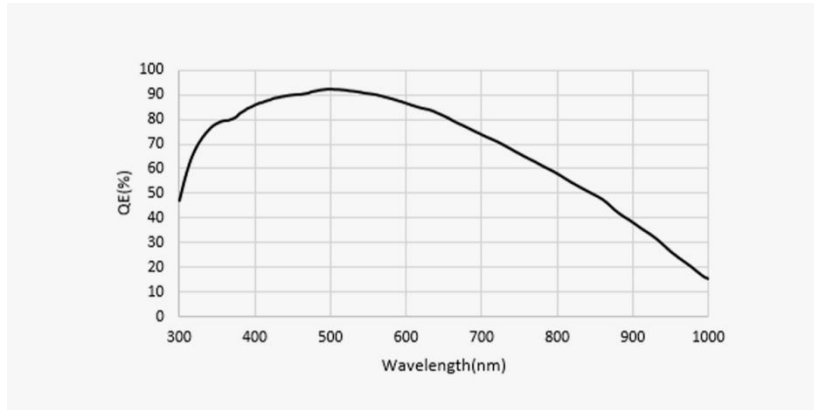
The readout noise of ASI120MM Mini can be as low as fewer than 4e.



ASI220MM Mini

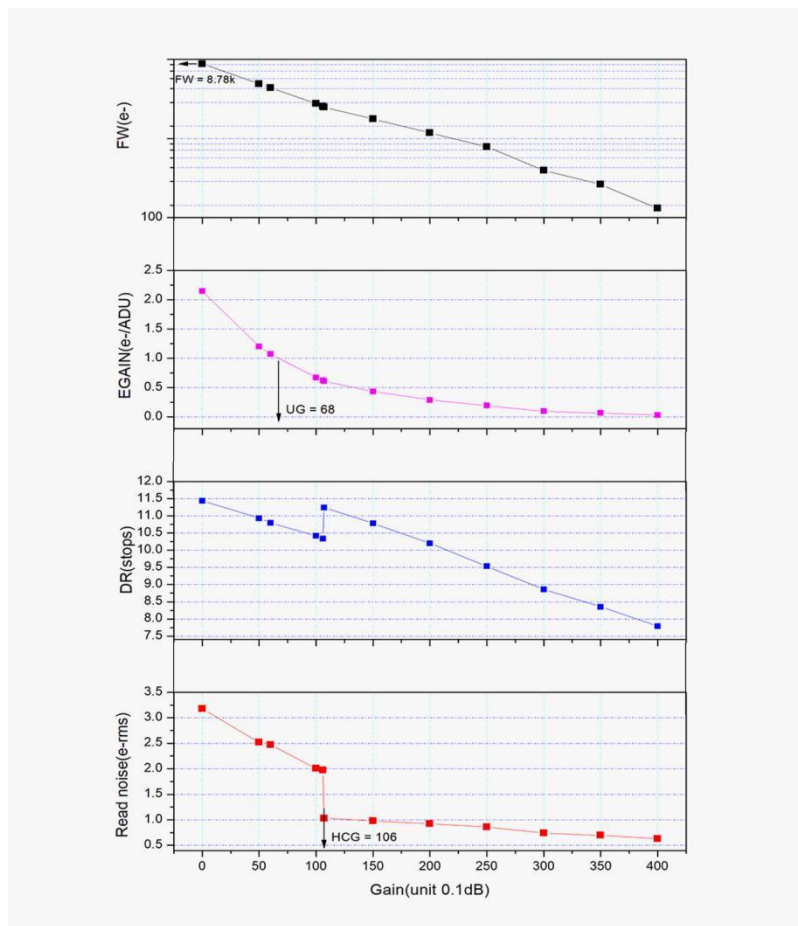
Quantum Efficiency

Regarding the absolute QE Curve, we estimate the Peak Value to be almost 92% (500nm) .



Readout Noise

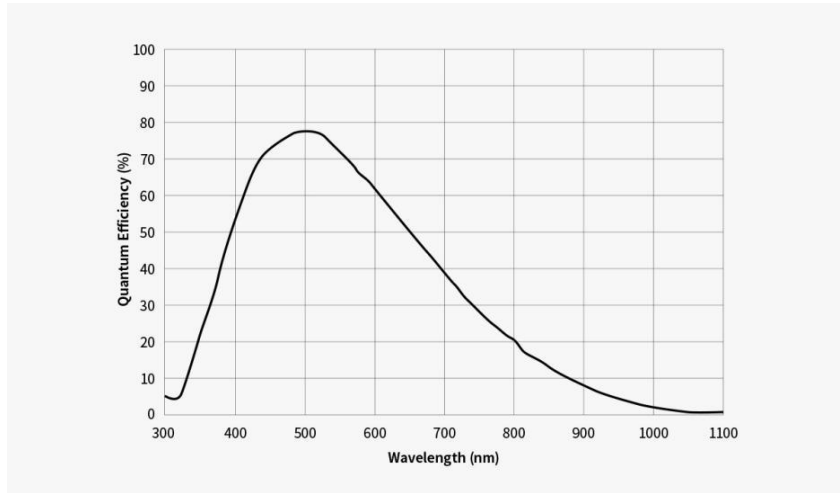
The readout noise of ASI220MM Mini can be as low as 0.6 e.



ASI174MM Mini

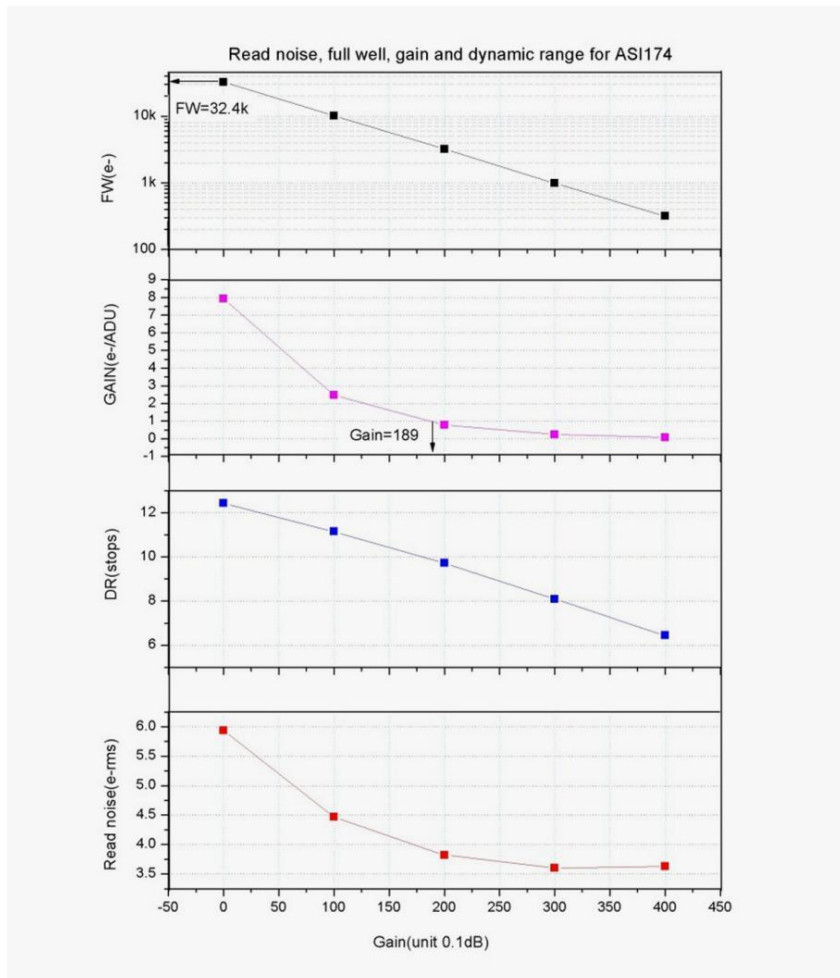
Quantum Efficiency

Regarding the absolute QE Curve, we estimate the Peak Value to be almost 77%.



Readout Noise

The readout noise of ASI174MM Mini can be as low as fewer than 3.6e.

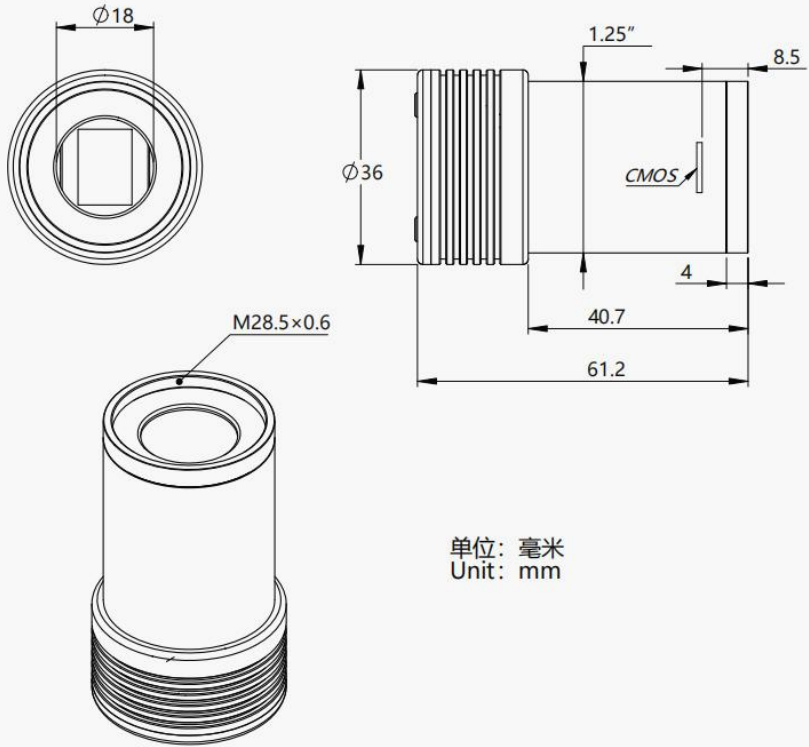


4 What's in the Box



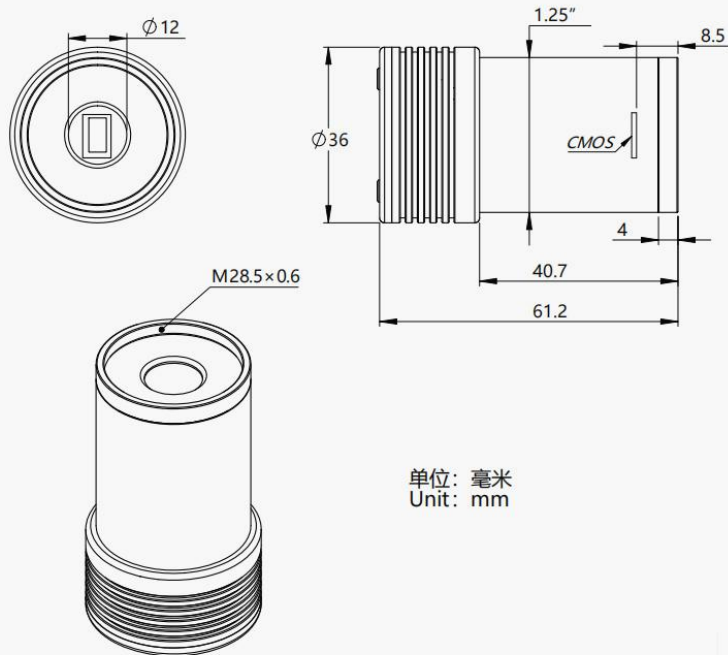
5 Mechanical Drawing

ASI 174MINI



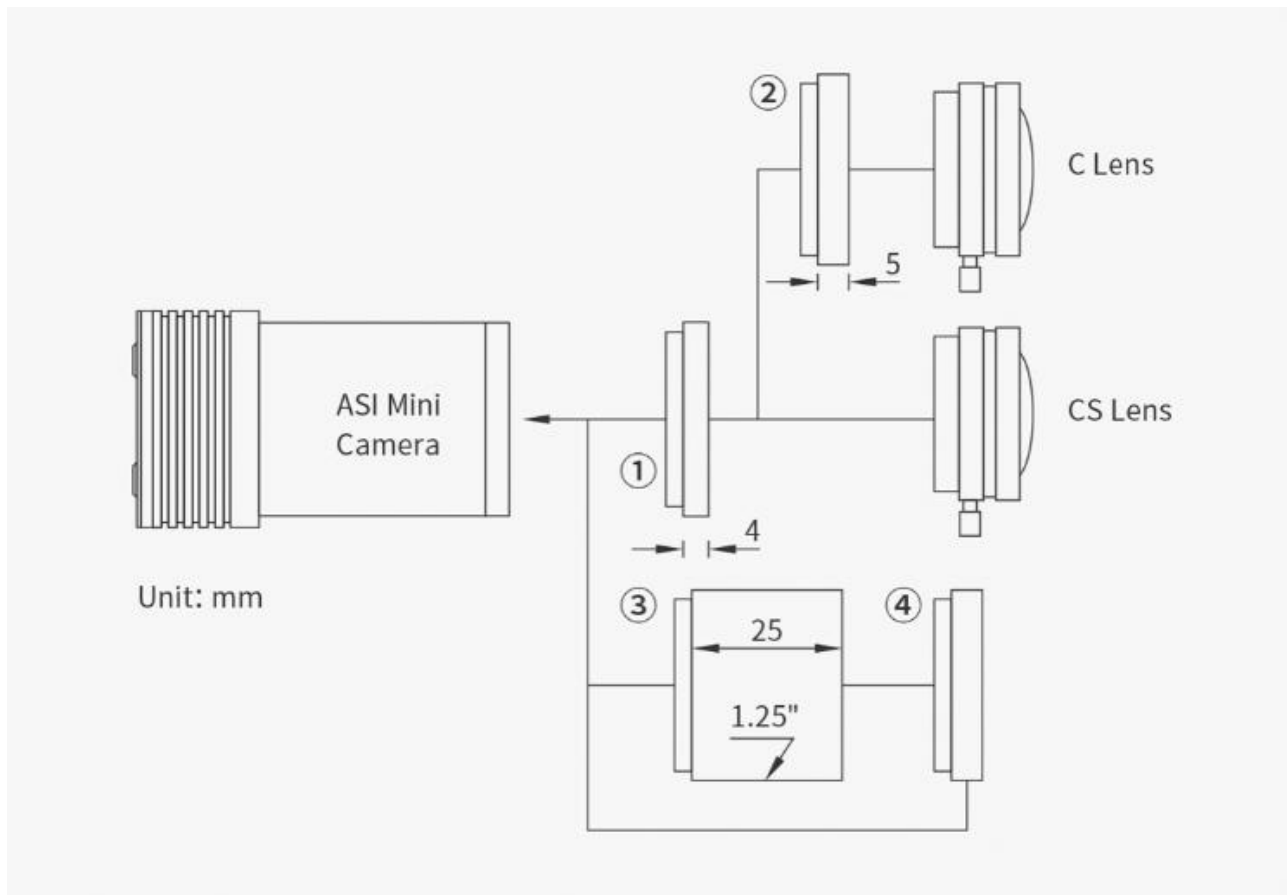
单位: 毫米
Unit: mm

ASI 120&220MINI



单位: 毫米
Unit: mm

6 Connection Methods



- ① M28.5-CS adapter
- ② CS-C adapter (optional)
- ③ 1.25" extender
- ④ 1.25" filter (optional)

Work with OAG

The Mini-camera series are well suited for OAG use: They have a much bigger focus range than normal ASI cameras. No more worrying about your guide camera and main camera not being able to find focus at the same time.



Work with CS adapter and CS lens



Work with 1.25" extender



7 Warranty Policy

1. ZWO will provide a 2-year free warranty service (Warranty Period) for ZWO products purchased by Users from ZWO ("Products") in accordance with this Policy, commencing on the day following receipt of the Products by Users. For ASIAIR Plus users, commencing on the day of device activation.

2. If a User encounters the following Dead on Arrival (DOA) and contacts ZWO within the corresponding time limit to issue the Product purchase invoice and relevant evidence, ZWO will provide door-to-door pick-up service and, as appropriate, after-sale replacement (or partial replacement), repair or return (or partial return) service for the following Products:

1) Product quality problem

Provided that a User detects a quality problem and contacts ZWO within 180 days after receipt of the Products, and ZWO support team confirms that the Products indeed have a quality problem or defect after their inspection, ZWO will provide free replacement service towards such Products;

2) Product transportation problem

Provided that a User finds obvious signs of bubbling, serious overstocking, or deformation on the outer package of the Products upon receipt of the Products, and provides ZWO with pictures of the outer package and proof of receipt within 3 days after receipt of such Products, ZWO support team will verify the actual shipper and determine the responsible party for such transportation problem. In the event that ZWO is the actual shipper, ZWO will be responsible for providing the relevant return or replacement service, however, if the Products are directly sold or transported to the User by an agent of ZWO, the agent will be responsible for providing the relevant return or replacement service;

3) Any quality problem with the accessories or other parts of the Products is not a condition for the return or change of the Products, and the User may solely request to replace the accessories with new ones, which shall be handled after verification by ZWO support team.

3. If the Products are under the following circumstances, they are not within the scope of warranty service. ZWO may provide maintenance services to the Users:

1) The Warranty Period of the Products has expired;

2) The Products are injected into liquid or affected by moisture or corrosion;

3) The Products are damaged by an external force (such as the broken of the camera protection window glass, the deformation of the product shell, the broken of the USB port, etc.);

4) Disassembling, repairing by a third party, refurbishment of the Products (such as downloading erroneous firmware) without the written authorization of ZWO;

5) The product system is modified, or the maintenance notice is lost or changed;

6) Product quality problem caused by installation not following the requirements or instructions for the Products;

7) Physical damage or failure of the Products caused by the force majeure (such as strong vibration or extrusion such as flood, fire, earthquake, or thunder stroke);

8) Damage caused by the improper User operation during the period of shooting or use, such as using without the equipment protection or direct shooting of the sun;

9) No valid purchase invoice or warranty certificate;

10) The Products are second-hand products.

8 After-sale Service

For software upgrades, please refer to “Guide & Manuals” on our official website.

<https://www.zwoastro.com/guides-and-manuals/>

For repairs and consultation, you can visit here:

<https://support.astronomy-imaging-camera.com/>

Email: info@zwoptical.com.

Phone: 0512-65923102

1. For the normal repair or replacement of the Products during the Warranty Period, the User will bear the return cost. When returning the Products, Users shall specify the actual reasons for the damage to the Products, and shall provide the corresponding valid certificates, such as pictures or videos, etc.

For the Products that need to be replaced after being confirmed by ZWO in writing, the User shall return the Products with the complete package, together with all accessories, manuals, etc., to the address designated by ZWO.

By sending back the product to ZWO, the User agrees to pay out-of-warranty fees that may arise during the repair process of the product. ZWO will send back the product after charging.

2. For the Products that need to be returned for after-sales service, ZWO will provide the corresponding RMA code for reference. ZWO will not accept any products having no RMA code that have been returned privately without ZWO written confirmation.

3. If a User purchases the ZWO Products from a ZWO agent, the User may contact the ZWO agent directly for the relevant after-sales service.